

# 6HYM-WET

H-rating 368kW (500mhp)

# YANMAR

MARINE  
PROPULSION  
DIESEL ENGINE



- 6-cylinder, direct injection, heat exchanger cooling.
- Twin-turbocharger + intercooler.
- Available either with marine gear or without marine gear.
- 4-valves per cylinder for higher combustion efficiency.
- Conform to IMO Tier II emissions regulations.

## Specifications

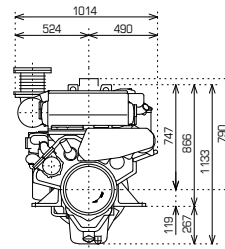
|                                       |                                     |                           |
|---------------------------------------|-------------------------------------|---------------------------|
| Model                                 | 6HYM-WET H-rating                   |                           |
| Number of cylinders                   | 6 in-line                           |                           |
| Bore × stroke                         | mm                                  | 132.9 × 165               |
| Displacement                          | lit.                                | 13.733                    |
| Rated output                          | kW(hp)/rpm                          | 368(500)/1950             |
| Combustion system                     | Direct injection                    |                           |
| Aspiration                            | Turbocharger + intercooler          |                           |
| Starting system                       | Electric starting motor (24V 6.0kW) |                           |
| Cooling system                        | Heat exchanger                      |                           |
| Size of flywheel housing and flywheel | SAE #1 and 14 in.                   |                           |
| Dry mass                              | kg                                  | 1385(without marine gear) |
| Dimensions (L×W×H)                    | mm                                  | 1556×1014×1133            |

## Marine gear specifications

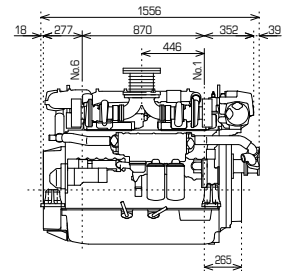
|   |                               |         |      |      |      |      |
|---|-------------------------------|---------|------|------|------|------|
| Engine model : 6HYM-WET H-rating        |                               |         |      |      |      |      |
| Model                                   | YXH-160                       | YX-161L |      |      |      |      |
| Type                                    | Hydraulic multi-disc clutch   |         |      |      |      |      |
| Reduction ratio (Ahead)                 | 1.97                          | 2.46    | 3.05 | 3.65 | 4.08 | 4.55 |
| Direction of rotation (propeller shaft) | Clockwise or counterclockwise |         |      |      |      |      |
| Dry weight                              | kg                            | 390     |      | 620  |      |      |

## Dimensions Unit:mm

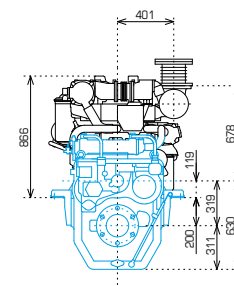
Engine only / Front view



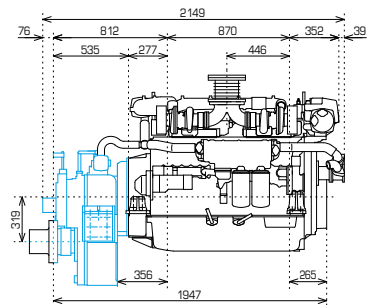
Engine only / Right side view



With YX161L gearbox / Rear view



With YX161L gearbox / Right side view



— Marine gear

## Performance curves

